



输出功率：约0.3~8.0W

精密金属齿轮减速电机

典型应用： 智能家居
智能机器人
医疗器械
电动玩具

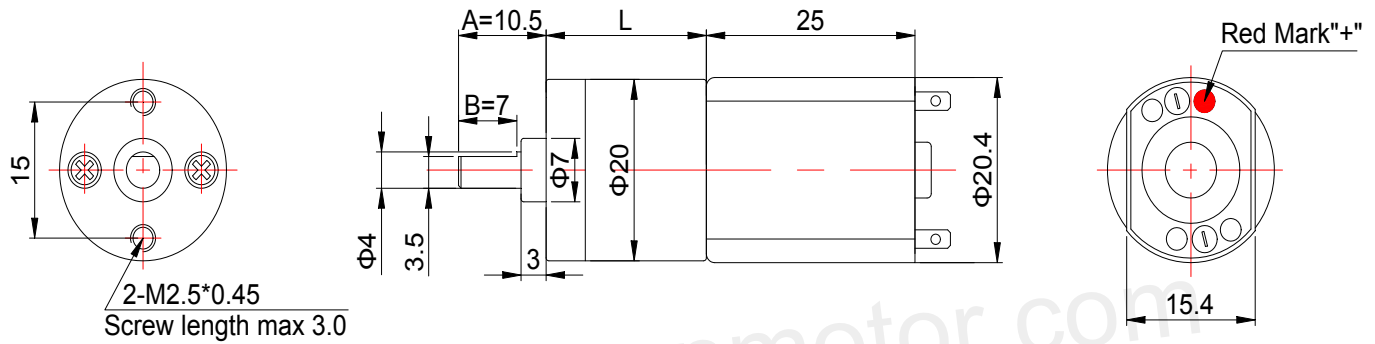
OUTPUT:APPROX 0.3~8.0W

Precision Metal Gear Motor

Typical Applications: Smart Home Appliance
Smart Robot
Medical Instruments
Electric Toys

1.OUTLINE DRAWING:

UNIT:MM



Customizable Parameters:

1. Length L、 A and B
2. Electric Performance
3. Output shaft specifications
4. Reduction Ratio

View:



WEIGHT: 50g(Approx)

2.GEARBOX REDUCTION RATIO:

| Gearbox Length (mm) | Stage Number | Reduction Ratio | | | | | Rated Torque | Bearable Maximum Instant Torque |
|---------------------|--------------|-----------------|-------|--------|--------|-------|--------------|---------------------------------|
| | | kg.cm | | | | | | |
| 14.7 | 3 | 8.2/1 | 12/1 | | | | 0.6 | 1.5 |
| 16.2 | 4 | 20.4/1 | 25/1 | 28/1 | 31/1 | 35/1 | 1.0 | 2.5 |
| 17.7 | 5 | 51/1 | 67/1 | 70/1 | 75/1 | 87/1 | 1.5 | 3.0 |
| 19.2 | 6 | 128/1 | 173/1 | 187/1 | 217/1 | | 2.0 | 5.0 |
| 20.7 | 7 | 266/1 | 319/1 | 438/1 | 467/1 | 542/1 | 2.5 | 6.0 |
| 22.2 | 8 | 798/1 | 898/1 | 1085/1 | 1220/1 | | 2.5 | 6.0 |

3.MOTOR PERFORMANCE :

1N.m≈10.2kg.cm≈14.2oz.in

| MODEL | REDUCTION RATIO | VOLTAGE | | NO LOAD | | AT MAXIMUM EFFICIENCY | | | | STALL | |
|--------------------|-----------------|-----------------|---------|---------|---------|-----------------------|---------|--------|--------|--------|---------|
| | | OPERATING RANGE | NOMINAL | SPEED | CURRENT | SPEED | CURRENT | TORQUE | OUTPUT | TORQUE | CURRENT |
| | | | V | rpm | A | rpm | A | kg.cm | W | kg.cm | A |
| 20GA130-12-06590 | 12/1 | 3.0~7.0 | 6.0 | 590 | 0.07 | 467 | 0.26 | 0.2 | 0.96 | 0.6 | 1.00 |
| 20GA130-25-061150 | 25/1 | 3.0~7.0 | 6.0 | 1150 | 0.43 | 800 | 3.3 | 0.8 | 6.56 | 1.9 | 7.66 |
| 20GA130-75-0385 | 75/1 | 2.0~4.0 | 3.0 | 85 | 0.075 | 67 | 0.29 | 0.6 | 0.41 | 2.9 | 1.1 |
| 20GA130-467-1215 | 467/1 | 5.0~13.0 | 12.0 | 15 | 0.05 | 11.7 | 0.15 | 3.0 | 0.36 | 14.1 | 0.47 |
| 20GA130F-1085-1206 | 1085/1 | 5.0~13.0 | 12.0 | 6 | 0.05 | 5.4 | 0.09 | 3.0 | 0.00 | 28.3 | 0.47 |