



输出功率: 约2.0~60.0W
直流无刷电机

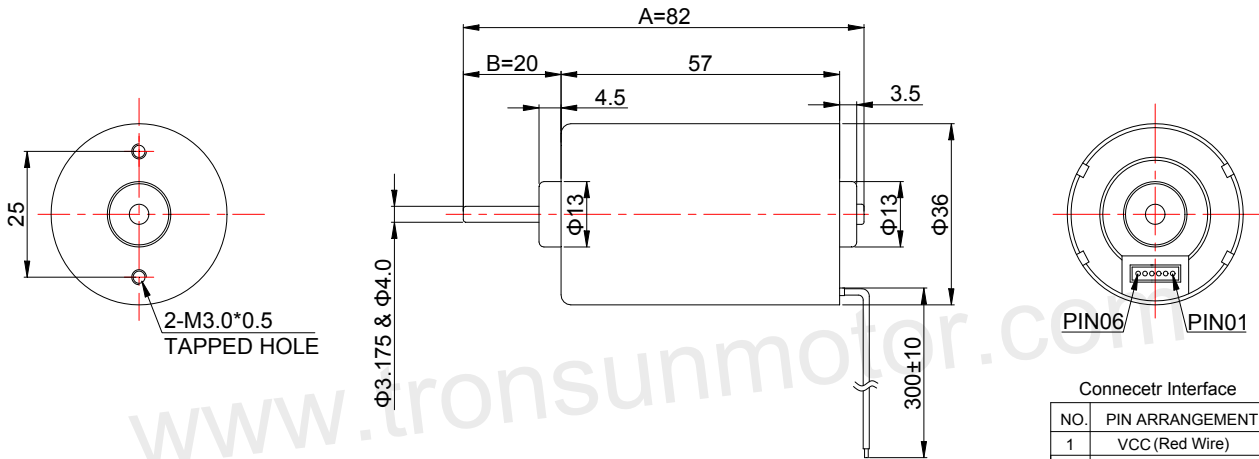
典型应用: 医疗器械
精密仪器
家用电器
商业设备

OUTPUT: APPROX 2.0~60.0W
Brushless DC Motor

Typical Applications: Medical Instruments
Precision Instrument
Household Appliances
Business Equipment

1. OUTLINE DRAWING:

UNIT:MM



Customizable Parameters:

- Length A and B
- Electric Performance

WEIGHT: 220g(Approx)

View:



Connect Interface

NO.	PIN ARRANGEMENT
1	VCC (Red Wire)
2	FG (Green Wire)
3	CW/CCW (Yellow Wire)
4	GND (Black Wire)
5	PWM (Blue Wire)
6	BRAKE (White Wire)

2. MOTOR PERFORMANCE :

MODEL	VOLTAGE		NO LOAD		AT MAXIMUM EFFICIENCY				STALL			
	OPERATING RANGE	NOMINAL V	SPEED rpm	CURRENT A	SPEED rpm	CURRENT A	TORQUE g.cm	OUTPUT W	TORQUE g.cm	CURRENT A		
BL3657I-124200	8.0~15.0	12.0	4200	0.25	3450	1.10	255	25.02	9.02	1340	131.50	4.90
BL3657I-248600	8.0~26.0	24.0	8600	0.29	7260	1.57	380	37.29	28.30	2460	241.41	8.50

