



输出功率：约0.3~1.5W  
贵金属电刷马达/碳刷马达

典型应用：电动玩具  
无线控制模型  
纹身机

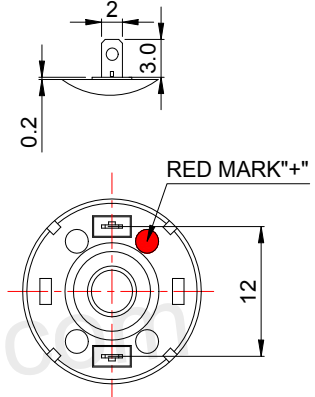
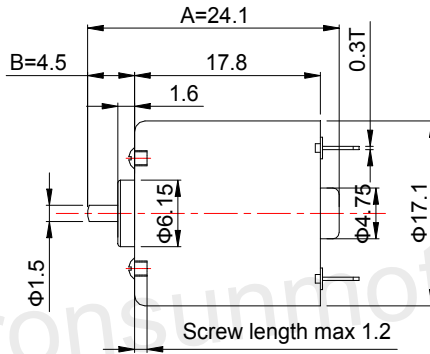
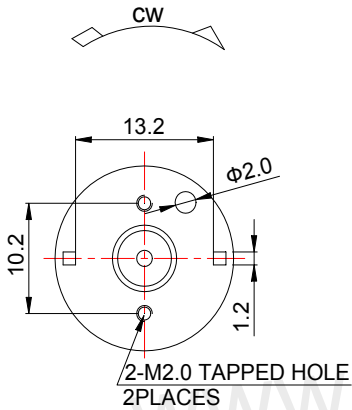
OUTPUT:APPROX0.3~1.5W  
Precious Metal-brush Motors/Cabron-brush Motors

Typical Applications: Electric Toys  
Wireless Control Model  
Tattoo Machine

## 1.OUTLINE DRAWING:

UNIT:MM

DIRECTION OF ROTATION

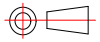


Customizable Parameters:

1. Length A and B
2. Electric Performance
3. Direction of Rotation
4. Eccentric Wheel is available

WEIGHT: 15g(Approx)

View:



## 2.MOTOR PERFORMANCE :

MODEL	VOLTAGE		NO LOAD		AT MAXIMUM EFFICIENCY				STALL			
	OPERATING RANGE	NOMINAL V	SPEED rpm	CURRENT A	SPEED rpm	CURRENT A	TORQUE g.cm	OUTPUT W	TORQUE g.cm	CURRENT A		
RF-020CH-15170	2.0~5.0	4.5	13500	0.078	11058	0.35	6.3	0.62	0.72	35	3.43	1.6
RF-020CH-10210	2.0~5.0	4.5	12500	0.058	9312	0.35	5.8	0.57	0.56	18	1.77	0.6
RF-020CH-16125	2.0~4.0	3.0	11000	0.065	9100	0.12	5.1	0.50	0.48	30	2.94	1.55

